

TB Mic Crosstalk Modification Kit (for consoles w. serial no. below 1220) 1.928.089.00

Purpose:

For consoles with serial no. below 1220, crosstalk attenuation from the Talkback microphone to Master A/B can be improved substantially by performing the modifications described below.

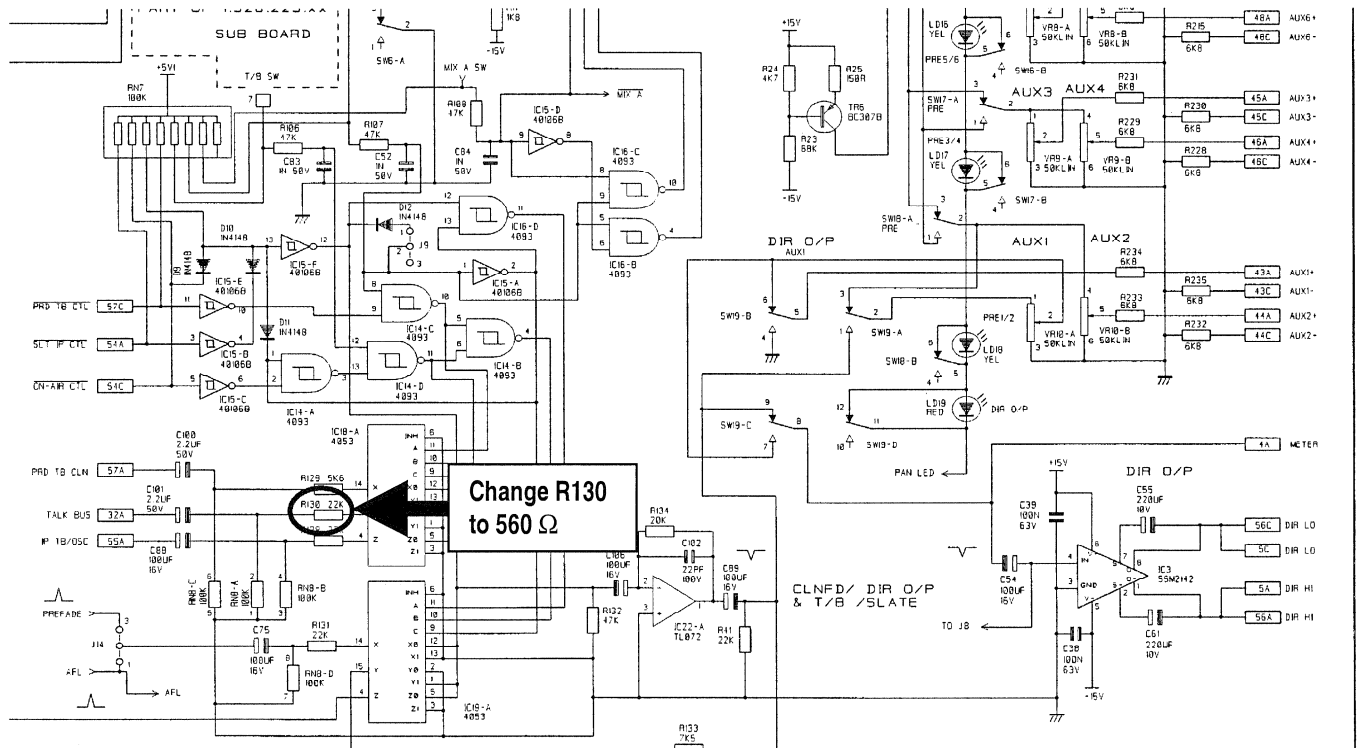
The materials contained in the modification kit are sufficient for the average console; should your console be very large, a second kit might be necessary.

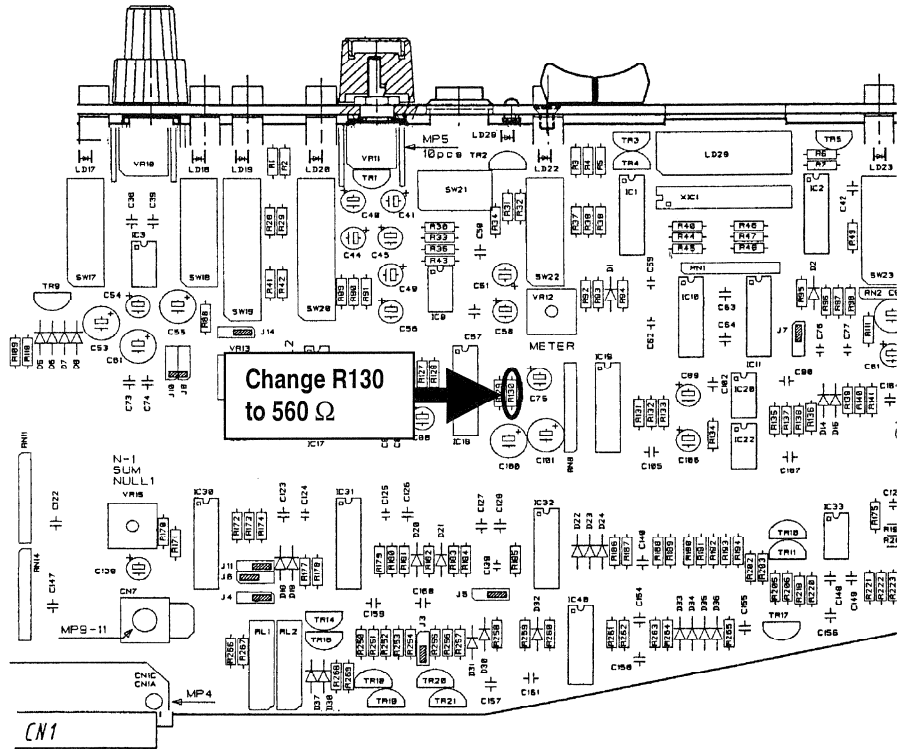
Contents of the Kit:

1	Installation Instructions (this paper)	10.27.4930
1	Resistor 0 Ω	57.11.3000
60	Resistors 560 Ω	57.11.3561
1	Resistor 2.2 kΩ	57.11.3222
1	Resistor 22 kΩ	57.11.3223
12	Wires with one AMP connector and one ring terminal	1.928.089.93
12	Fan-type lock washers	24.16.2030
12	Allen screws M3 × 8	21.53.9355
60	Auto-adhesive labels "1.928.225.00"	1.928.225.04
60	Auto-adhesive labels "1.928.226.00"	1.928.226.04
60	Auto-adhesive labels "1.928.227.00"	1.928.227.04
60	Auto-adhesive labels "1.928.229.00"	1.928.229.04
60	Auto-adhesive labels "1.928.255.00"	1.928.255.04
60	Auto-adhesive labels "1.928.257.00"	1.928.257.04
1	Auto-adhesive label "1.928.525.00"	1.928.525.04

Procedure:

Mono Input Units: On all Mono Input Units (1.928.220.82, 1.928.221.82, 1.928.222.82, and 1.928.224.82), replace Resistors R130 (22 kΩ) by 560 Ω.



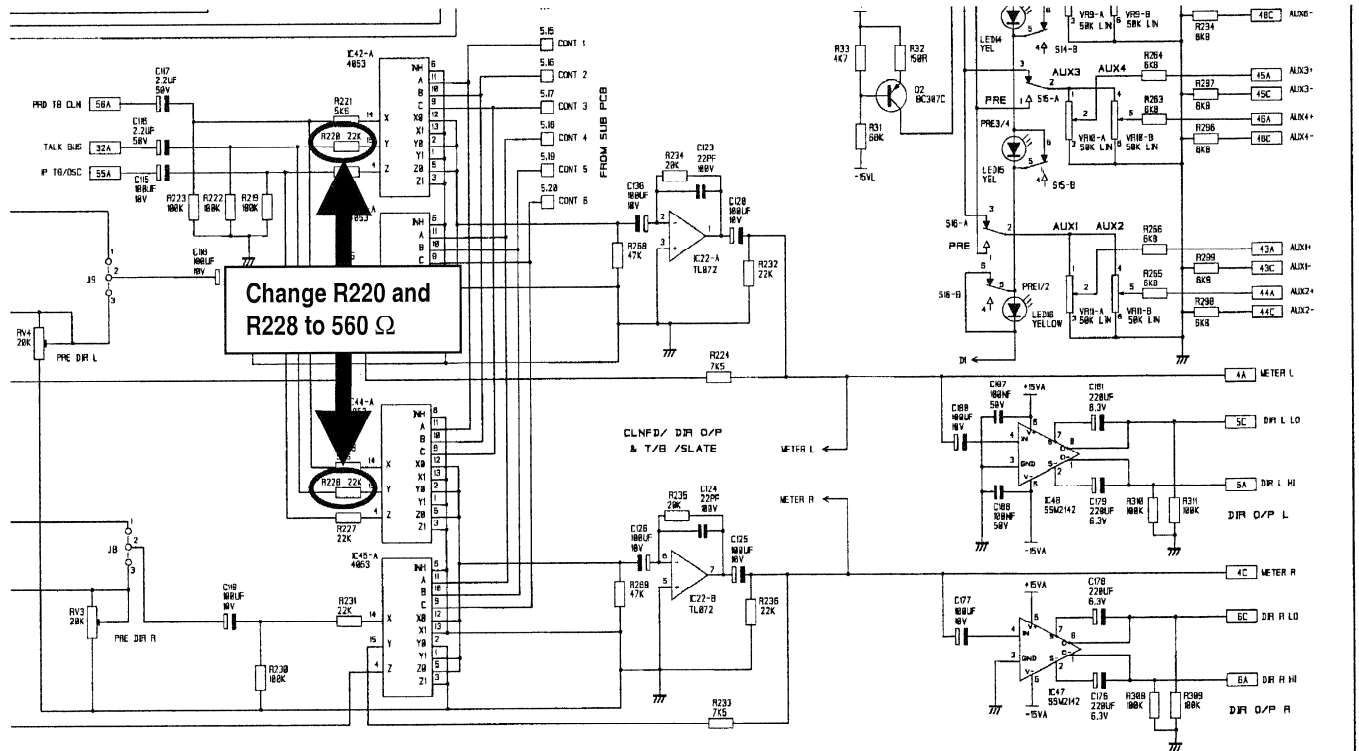


Mono Input Units (1.928.220.82, 1.928.221.82, 1.928.222.82, and 1.928.224.82)

Replace the auto-adhesive labels (or just attach the new one on top of the old one) according to the following table:

Assembly	old no.	new no.
Input Unit Mono	1.928.220.82	1.928.225.00
Input Unit Mono w. Option HL Transformer	1.928.221.82	1.928.226.00
Input Unit Mono w. Option 2 Mic Input	1.928.222.82	1.928.227.00
Input Unit Mono w. Option HL Transformer + 2 Mic Input	1.928.224.82	1.928.229.00

Stereo Input Units: On all Stereo High-Level Input Units (1.928.250.81, 1.928.252.81), replace R220 and R228 (22 kΩ) by 560 Ω.

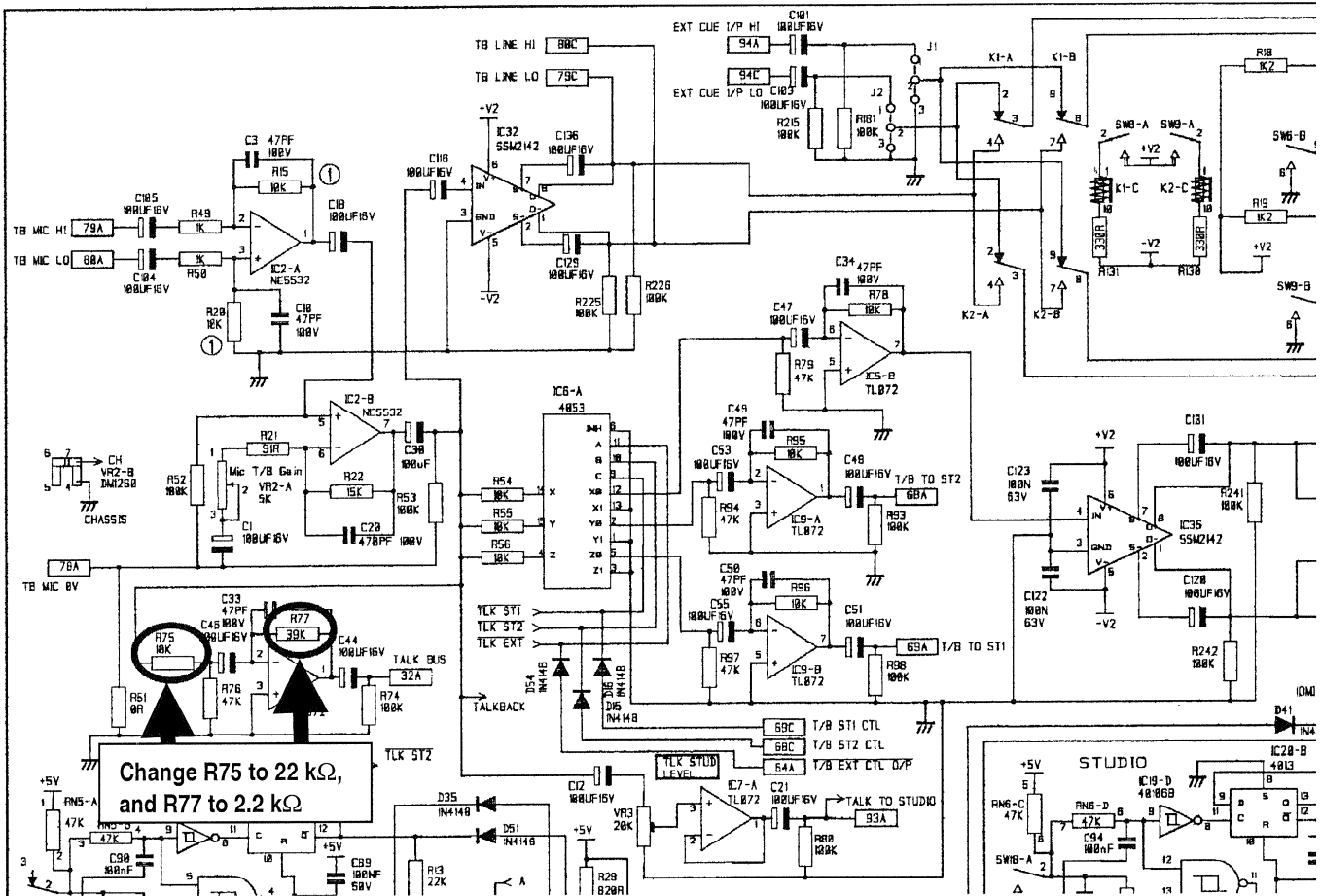


© 05.01.98 PG	① 07.05.99 PG	○	○	○	
STUDER				INPUT UNIT STEREO HL W. EQ	SC
				1.928.250.81	PAGE 3/5

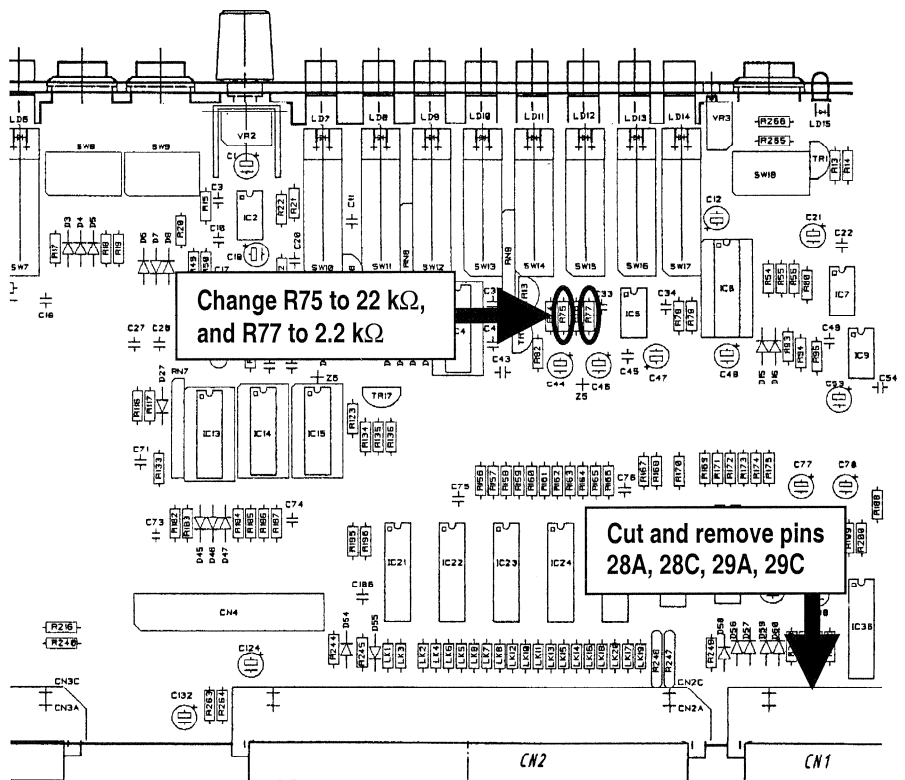
Replace the auto-adhesive labels (or just attach the new one on top of the old one) according to the following table:

Assembly	old no.	new no.
Input Unit Stereo High Level w. EQ	1.928.250.81	1.928.255.00
Input Unit Stereo High Level w. EQ & Transformer	1.928.252.81	1.928.257.00

Studio Monitor Unit: Replace R75 (10 kΩ) by 22 kΩ
 Replace R77 (39 kΩ) by 2.2 kΩ

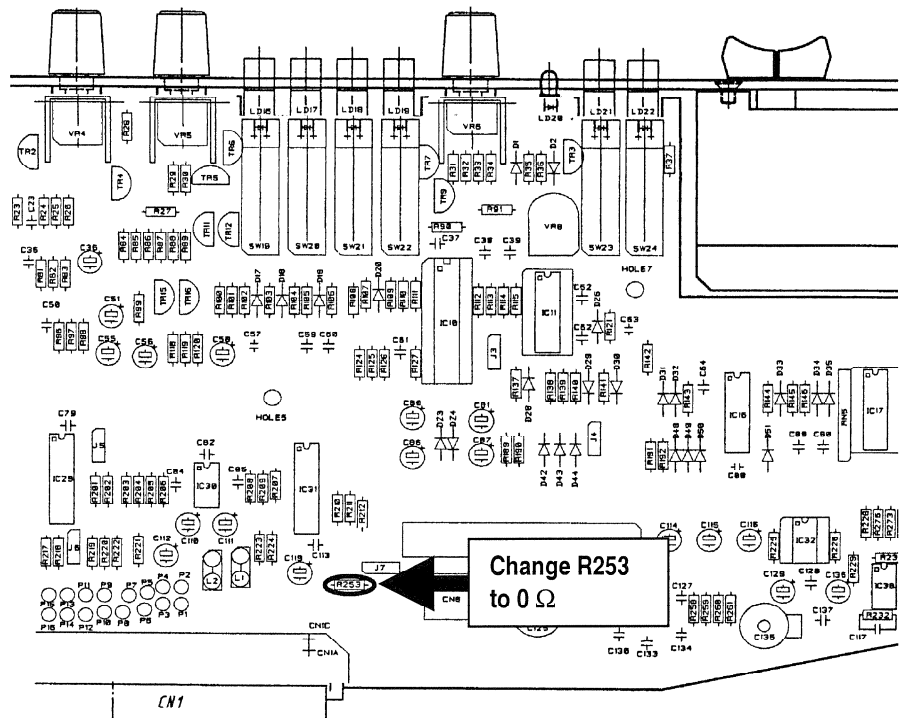
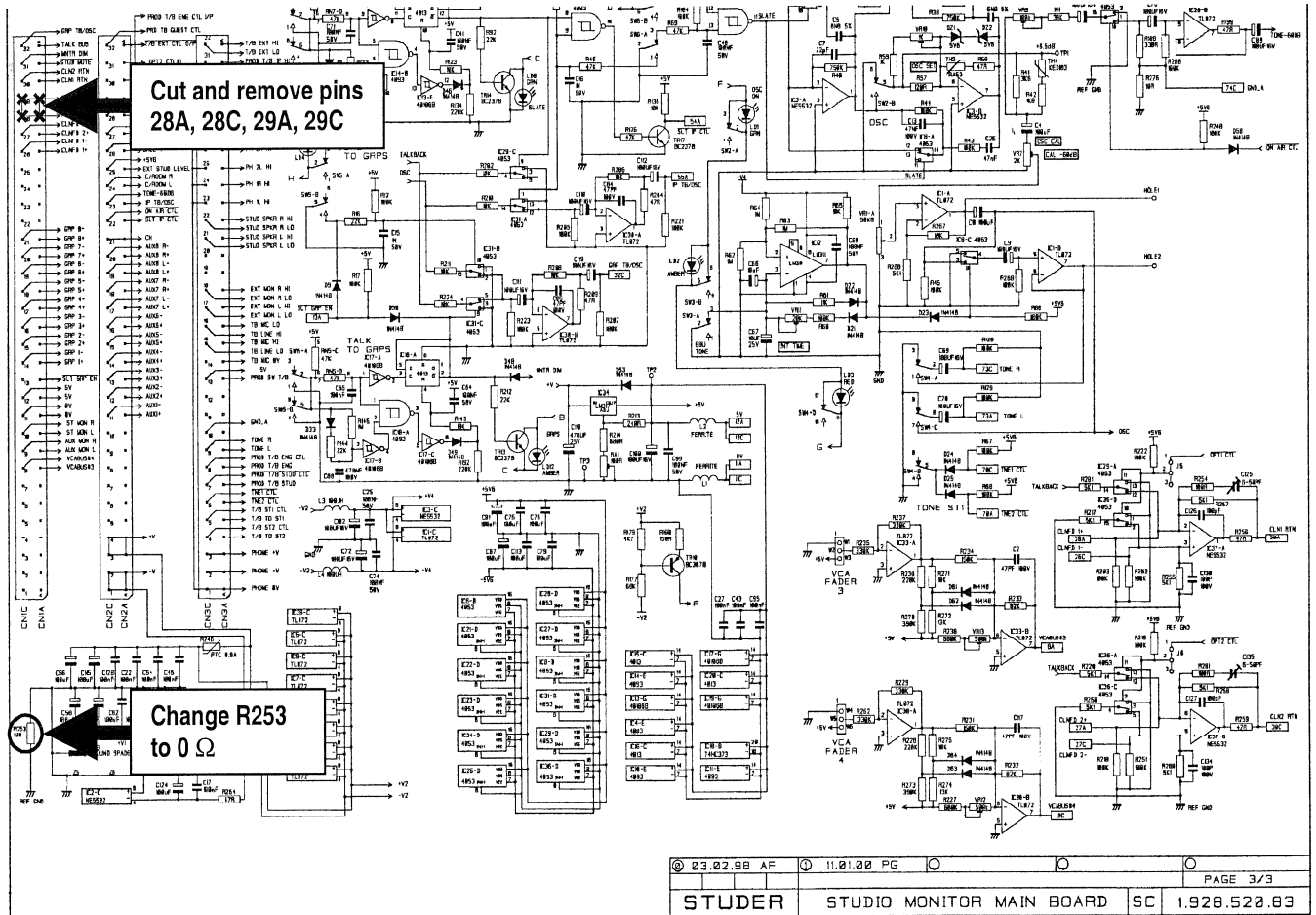


Studio Monitor Unit (1.928.520.83), diagram p. 1/3



Studio Monitor Unit (1.928.520.83)

Studio Monitor Unit (cont.): Replace R253 (10 Ω) by 0 Ω
 On connector CN1, cut all REF GND connection pins (pins 28A, 28C, 29A, 29C), and unsolder the cut-off pin sections.

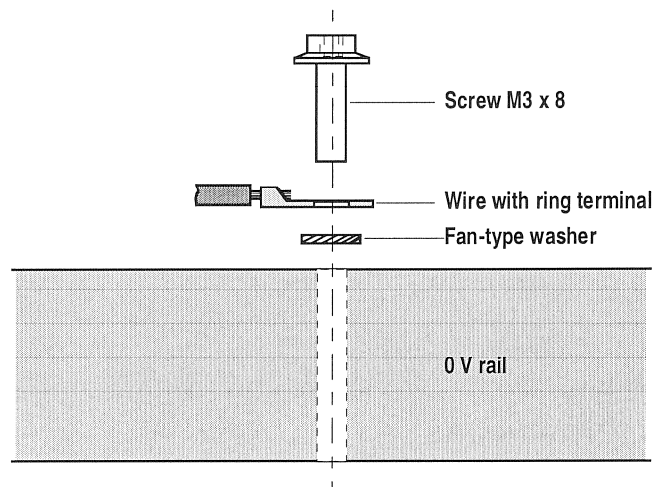


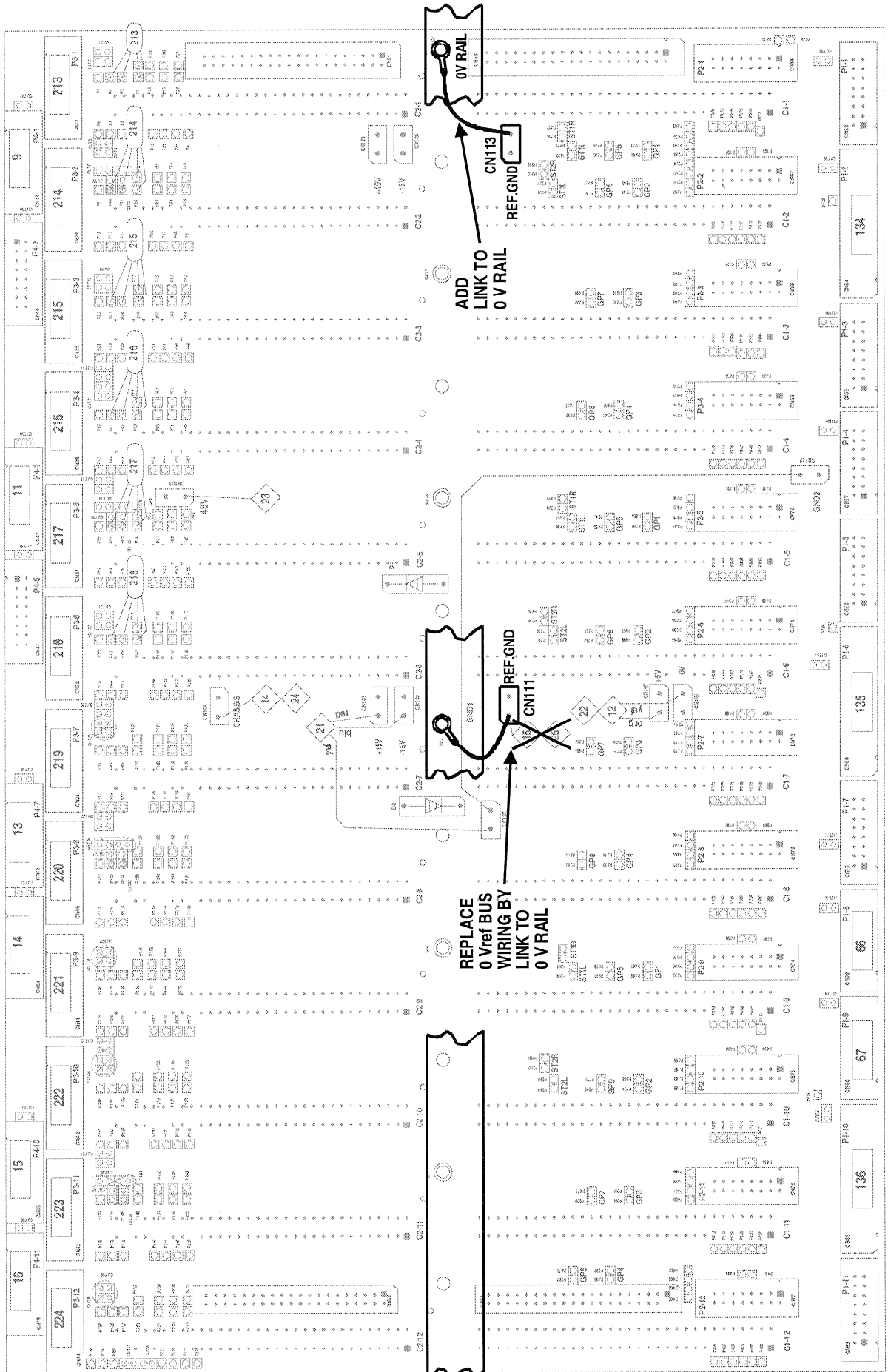
Studio Monitor Unit (1.928.520.83)

Replace the auto-adhesive label (or just attach the new one on top of the old one) according to the following table:

Assembly	old no.	new no.
Studio Monitor Unit	1.928.520.83	1.928.525.00

Main Bus Boards: Unplug the $0 V_{ref}$ bus wiring (daisy-chained link) from the REF GND connector CN111 on all Main Bus Boards, and cut the connection to CN122. Connect both REF GND connectors CN111 and CN113 on each Main Bus Board to the $0 V$ rail using the wires and mounting hardware (screws and fan-type washers) contained in the kit, as shown below.





1.928.800-12

Main Bus Board (1.928.800.81)

Date printed: 19.07.01

